

Title: PJ Cheltenham Date: 27 Jan 2010
 Description: Outdoor Sales Area For: PJ Cheltenham By: S. Christie

IES Filename: 10426.ies
 Description: REF432-ASR-B11-LNV FORMED STEEL HOUSING, FORMED SPECULAR ALUMINUM REFLECTORS.

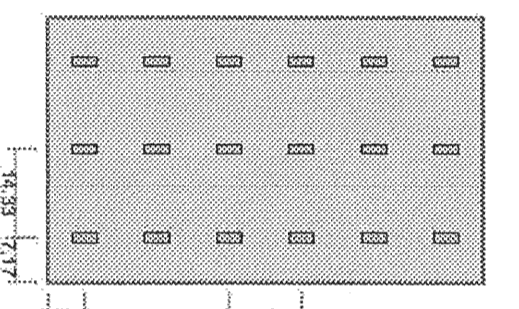
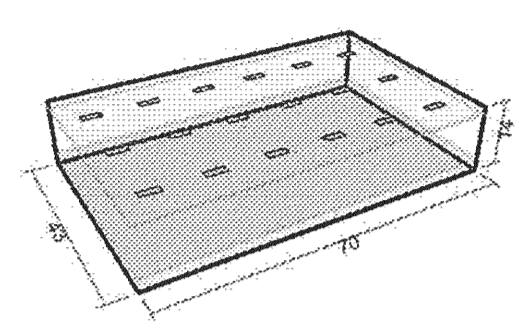
Luminaire Number of Lamps: 4
 Lamp Lumens: 2850 lms
 Luminaire Wattage: 109 W
 Light Loss Factor (LLF): 1.00

Geometry Length (X): 70 ft
 Width (Y): 43 ft
 Height (Z): 14 ft
 Workplane Height: 2.5 ft
 Suspension Length: 1.5 ft
 Room Cavity Ratio: 1.877

Reflectance Ceiling: 80 %
 Walls: 50 %
 Floor: 20 %
 Eff. Cavity Refl. - Ceiling: 75.7 %
 Eff. Cavity Refl. - Floor: 19.6 %
 CU: 0.778

Results Average Illuminance: 53 fc
 Number of Luminaires: 18
 Lighting Power Density (LPD): 0.65 W/ft²

Layout Rows (Width): 3 X 6 Luminaires:
 Grid Layout (size): 14.33 X 11.67 ft
 Wall Spacing: 7.17 X 5.83 ft



Title: PJ Cheltenham Date: 27 Jan 2010
 Description: Outdoor Receiving For: PJ Cheltenham By: S. Christie

IES Filename: 10426.ies
 Description: REF432-ASR-B11-LNV FORMED STEEL HOUSING, FORMED SPECULAR ALUMINUM REFLECTORS.

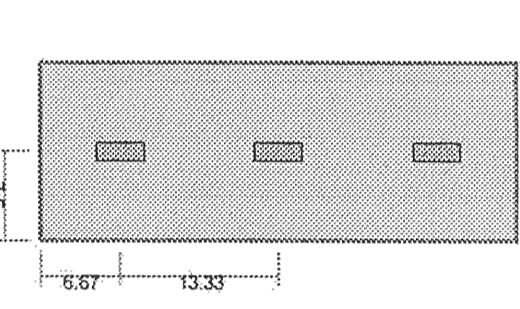
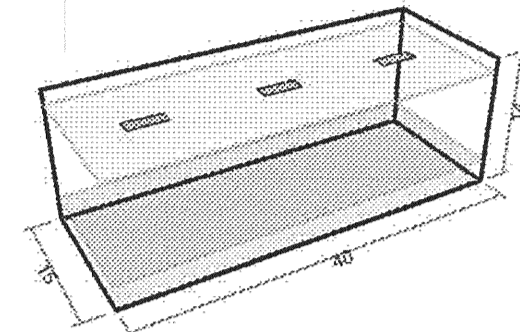
Luminaire Number of Lamps: 4
 Lamp Lumens: 2850 lms
 Luminaire Wattage: 109 W
 Light Loss Factor (LLF): 1.00

Geometry Length (X): 40 ft
 Width (Y): 15 ft
 Height (Z): 14 ft
 Workplane Height: 2.5 ft
 Suspension Length: 1.5 ft
 Room Cavity Ratio: 4.583

Reflectance Ceiling: 80 %
 Walls: 50 %
 Floor: 20 %
 Eff. Cavity Refl. - Ceiling: 70.1 %
 Eff. Cavity Refl. - Floor: 19.1 %
 CU: 0.551

Results Average Illuminance: 31 fc
 Number of Luminaires: 3
 Lighting Power Density (LPD): 0.55 W/ft²

Layout Rows (Width): 1 X 3 Luminaires:
 Grid Layout (size): 0.00 X 13.33 ft
 Wall Spacing: 7.50 X 6.67 ft



Title: Produce Junction Cheltenham Date: 27 Jan 2010
 Description: Cooler Lighting For: PJ Cheltenham By: S. Christie

IES Filename: 02267.ies
 Description:

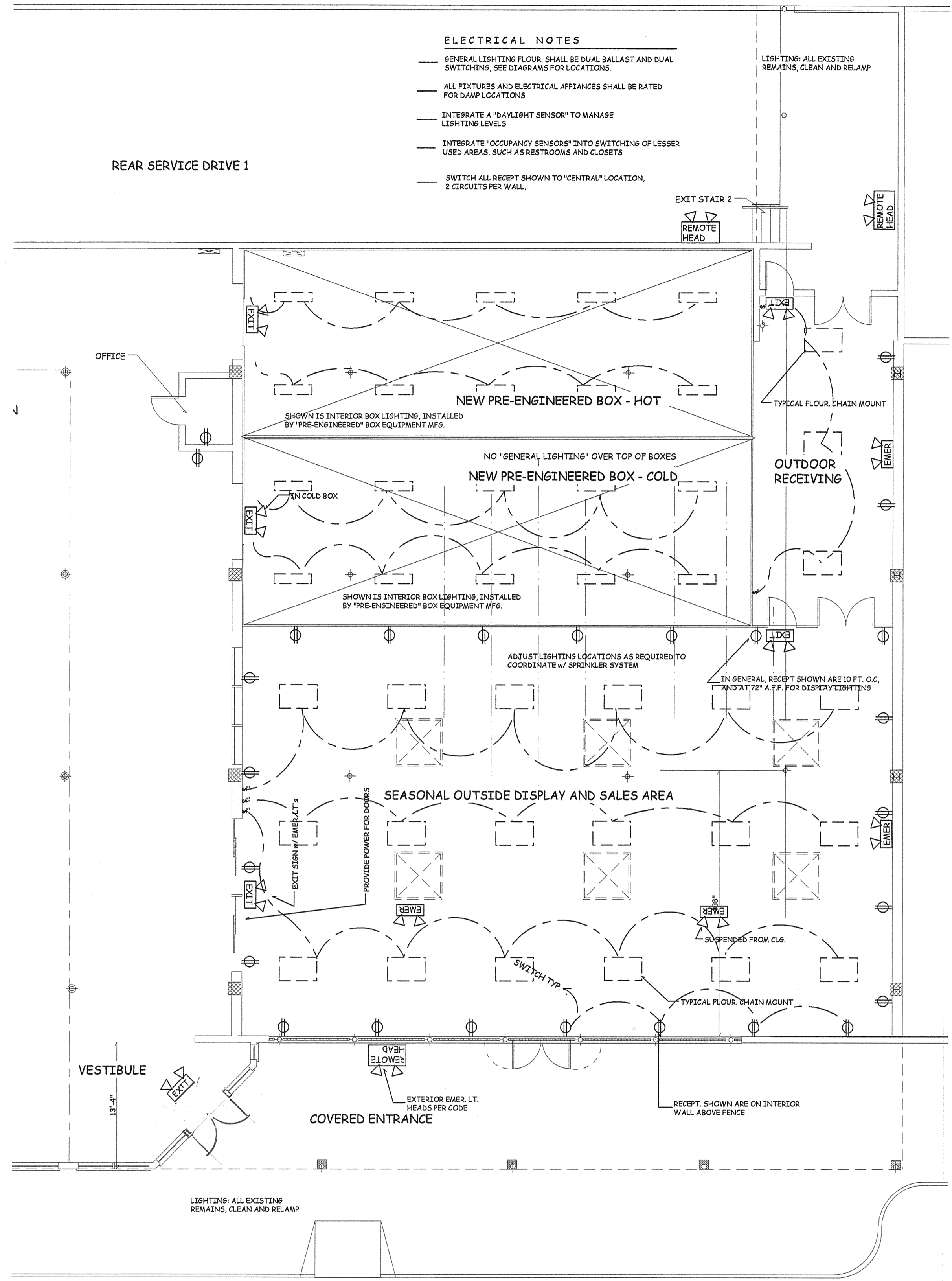
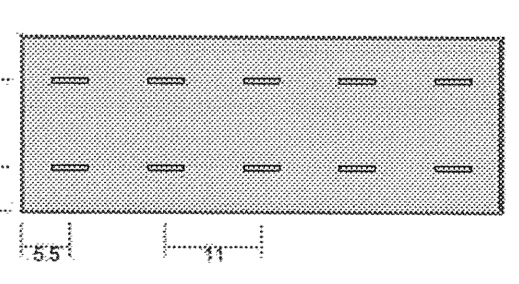
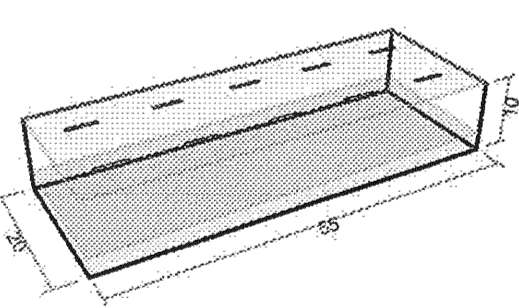
Luminaire Number of Lamps: 2
 Lamp Lumens: 2850 lms
 Luminaire Wattage: 58 W
 Light Loss Factor (LLF): 1.00

Geometry Length (X): 55 ft
 Width (Y): 20 ft
 Height (Z): 10 ft
 Workplane Height: 2.5 ft
 Suspension Length: 0 ft
 Room Cavity Ratio: 2.557

Reflectance Ceiling: 80 %
 Walls: 50 %
 Floor: 20 %
 Eff. Cavity Refl. - Ceiling: 80.0 %
 Eff. Cavity Refl. - Floor: 19.3 %
 CU: 0.581

Results Average Illuminance: 30 fc
 Number of Luminaires: 10
 Lighting Power Density (LPD): 0.53 W/ft²

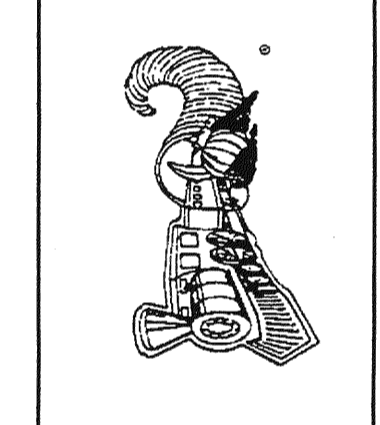
Layout Rows (Width): 2 X 5 Luminaires:
 Grid Layout (size): 10.00 X 11.00 ft
 Wall Spacing: 5.00 X 5.50 ft



ELECTRICAL NOTES
 GENERAL LIGHTING FLOOR SHALL BE DUAL BALLAST AND DUAL SWITCHING. SEE DIAGRAMS FOR LOCATIONS.
 ALL FIXTURES AND ELECTRICAL APPLIANCES SHALL BE RATED FOR DAMP LOCATIONS.
 INTEGRATE "DAYLIGHT SENSOR" TO MANAGE LIGHTING LEVELS.
 INTEGRATE "OCCUPANCY SENSORS" INTO SWITCHING OF LESSER USED AREAS, SUCH AS RESTROOMS AND CLOSETS.
 SWITCH ALL RECEPT SHOWN TO "CENTRAL" LOCATION, 2 CIRCUITS PER WALL.

REV #	REVISION DESCRIPTION	DATE
01	START UP FOR PERMITS & PROGRESS PRINTING	09-23-2009
02	ADJUSTED FOR ACCESSIBILITY REVIEW	12-04-2009
03	UPDATED FROM PERMIT FILING	02-08-2010
04	UPDATES FROM IIT APPROVAL REVIEW	03-31-2010
05	UPDATES PER MTC W/ TWP	04-22-10
06		06-2-2010

PLAN INVALID UNLESS AFFIXED WITH EMBOSSED SEAL & RED SIGNATURE
 Eric C. Van Reed, Architect
 Creative Design Associates, Inc.
 ARCHITECTURE INTERIORS PLANNING
 350 Callowhill Road
 Chalfont, PA 18914
 Voice: 215-672-1155
 www.ArchitectVision.com



NOTE: SEE RESTROOM ALTERATION SHEET FOR ADDITIONAL EXIT AND EMERGENCY LIGHTING DESCRIPTIONS & LOCATIONS